



Product Warranty



Linear Output Warranty

X-CHROS L Monocrystalline PERC High Efficiency SHINGLED

400 - 405 - 410 - 415 Wp



Shingled solar cells



Positive Tolerance



High Voltage 1500 Vdc



Low temperature adhesive
High density setting



Lower occlusion loss



Safety and reliability



21.2 % max efficiency

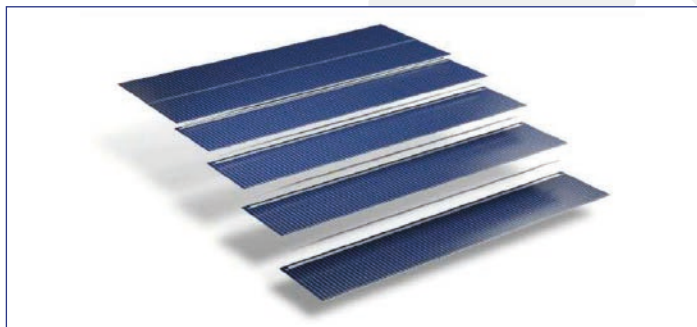


Fire reaction Class 1

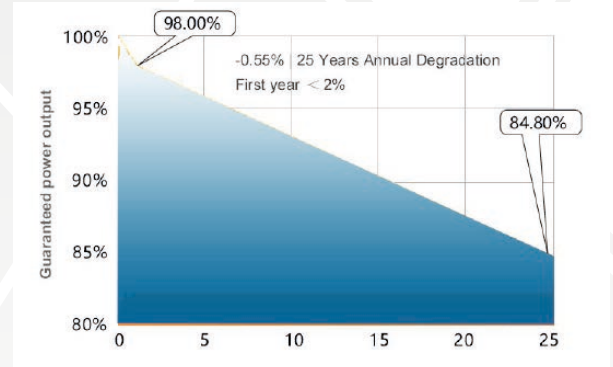


AR coating glass

The new photovoltaic modules X-CHROS L is one of a wide range of products made by Sunerg and It is manufactured according to IEC 61215, IEC 61730 standard and CE. PERC Shingled Technology provides ultra -high efficiency with better performance in low irradiation. Maximizes installation capacity in limited space



LINEAR WARRANTY



CORRESPOND TO

| UNI9177 | PV CYCLE | CE |

UNI EN ISO 9001:2008

| Quality management system

UNI EN ISO 14001:2004

| Standards for environmental management system

UNI EN BS OHSAS 18001:2007

| International standards for occupational health and safety

XMCH120400B+H

XMCH120405B+H

XMCH120410B+H

XMCH120415B+H

		STC	NMOT	STC	NMOT	STC	NMOT	STC	NMOT
Open circuit Voltage	(Voc)	46.40 V	44.2 V	46.50 V	44.3 V	46.60 V	44.4 V	46.70 V	44.5 V
Voltage a Pmax.	(Vmp)	38.60 V	36.8 V	38.70 V	36.9 V	38.80 V	37.0 V	38.90 V	37.1 V
Short-circuit current	(Isc)	10.97 A	8.85 A	11.02 A	8.89 A	11.07 A	8.93 A	11.12 A	8.97 A
Current at Pmax.	(Imp)	10.36 A	8.18 A	10.47 A	8.27 A	10.57 A	8.35 A	10.67 A	8.43 A
Peak Power (Pmax) Tolerance		400 Wp	301 Wp	405 Wp	305 Wp	410 Wp	309 Wp	415 Wp	312 Wp
Module Efficiency		20.40%		20.70%		20.90%		21.2%	
Maximum voltage		1500 V DC							
Maximum series fuse rating		20A							
Operating Temperature		-40°C - +85°C							

* STC (Standard test conditions)

Tolerance electric measurement ±3%

Irradiance 1000 w/m², module temperature 25°C, AM= 1.5

* NOMT (Nominal module operating temperature)

Irradiance 800 w/m², temperature 20°C, wind speed 1m/s

MECHANICAL CHARACTERISTIC

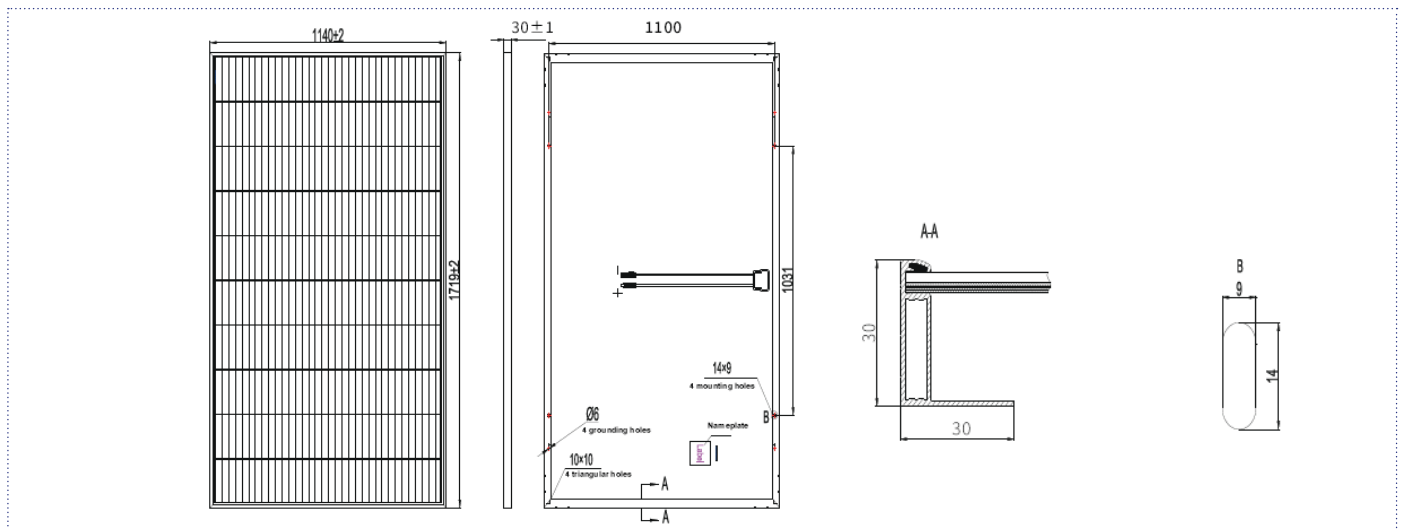
Max. surface load capacity (Pa)	5400
Dimensions (mm)	1719 x 1140 x 30
Weight (Kg)	22
Encapsulation	EVA
Cells	340 cells 166x166 PERC
Backsheet	High weatherability backsheet

TEMPERATURE COEFFICIENT

NMOT	42.3°C±2°C
Pmax Temperature Coefficient	-0.34%/ °C
Voc Temperature Coefficient	-0.27%/ °C
Isc Temperature Coefficient	0.04% / °C

CONFIGURAZIONE DEL PAKAGING

Moduli a pallet	36
Moduli per Container	936



GENERAL INFORMATION

Glass	AR coating tempered glass, 3.2mm
Farme	Anodized Aluminum alloy
Junction Box	IP68, 2 Bypass diodes
Output Cable - connectors	4.0mm ² , lenght 1200 mm

Sunerg Solar S.r.l. reserves the right to make changes to the technical data of the product without prior notice. The technical details of the form, although included with the utmost care, may contain errors or inaccuracies not attributable to Sunerg Solar S.r.l.